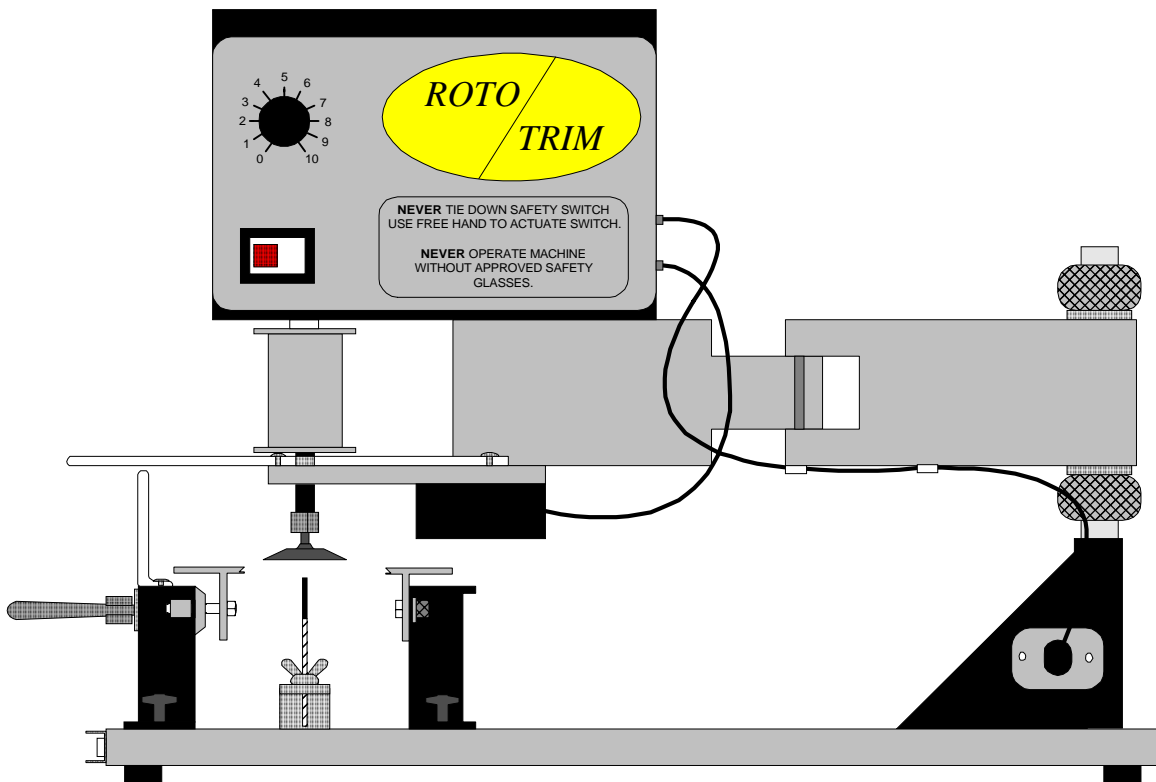


Roto Form Manufacturing Corp

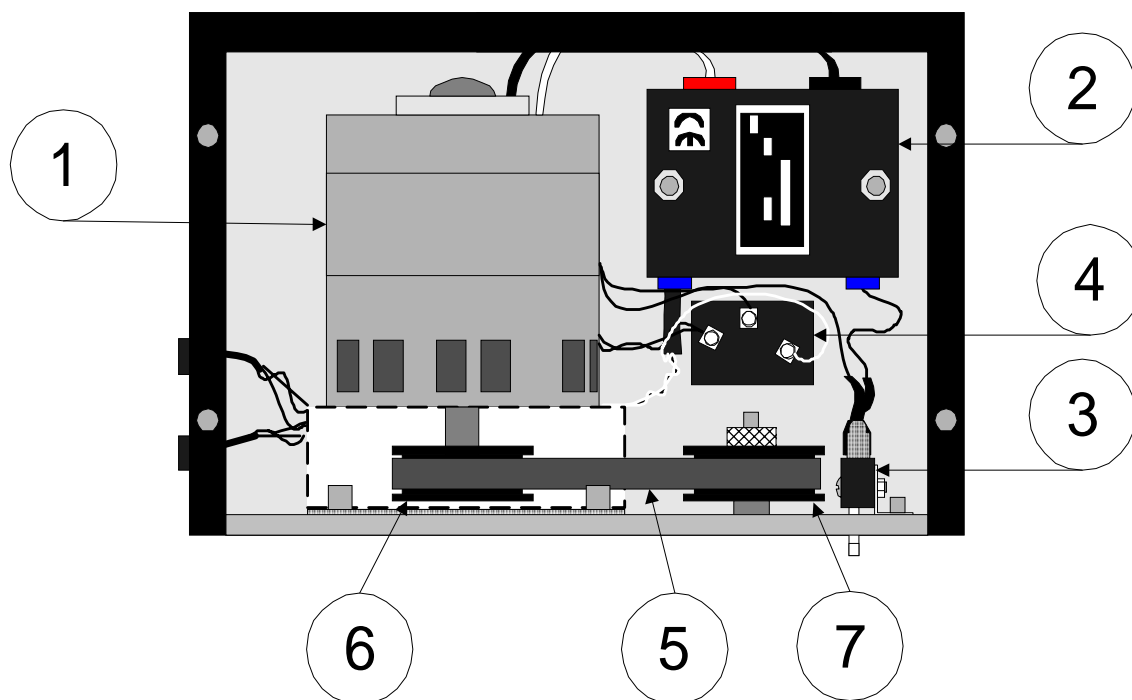
Parts Diagrams and Price List

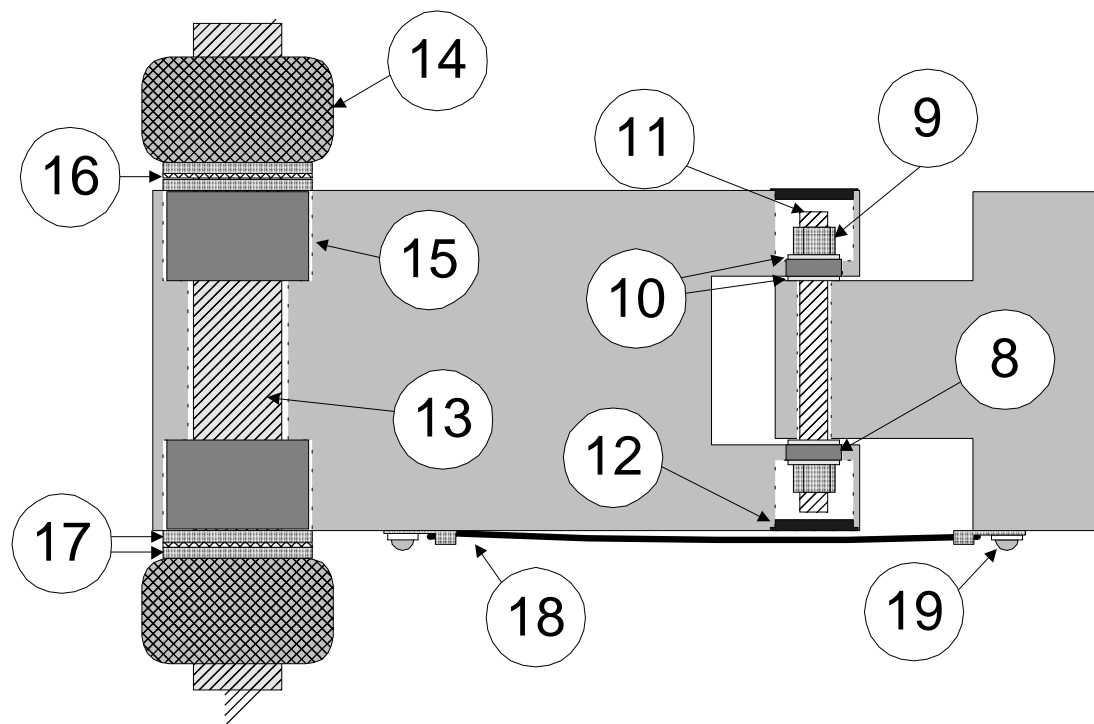
Roto Trim Models 172/272



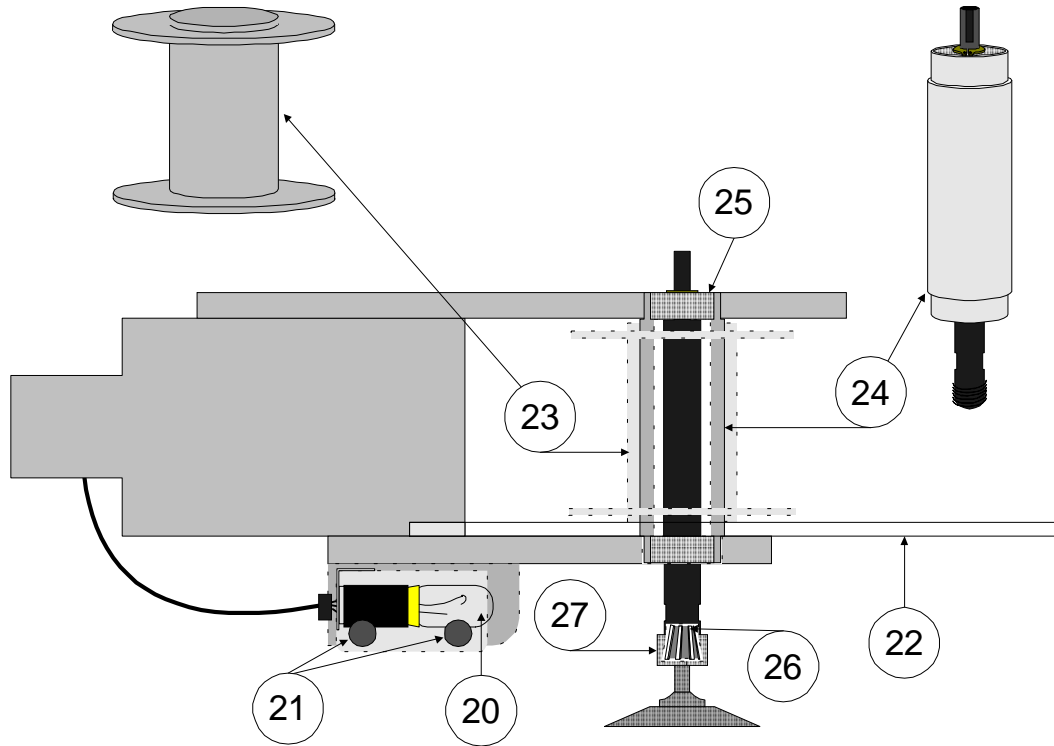
Effective March 24, 2005

ITEM	DESCRIPTION	PART #	PRICE
1	Drive Motor	172-201	155.00
	Motor Brushes (set)	172-263	25.00
2	Speed Control 120V	172-202	140.00
2	Speed Control 230V	172-202B	145.00
3	Safety Switch (motor)	172-203	16.50
4	On/Off Switch	172-248	30.00
5	Timing Belt (toothed) model 272	172-148	21.00
5	Timing Belt (round) model 172	172-260	21.00
6	Sprocket - Motor	172-150	21.00
7	Sprocket - Spindle	172-147	21.00
5, 6 and 7	Belt and Sprocket Replacement Kit	172-148K	50.00



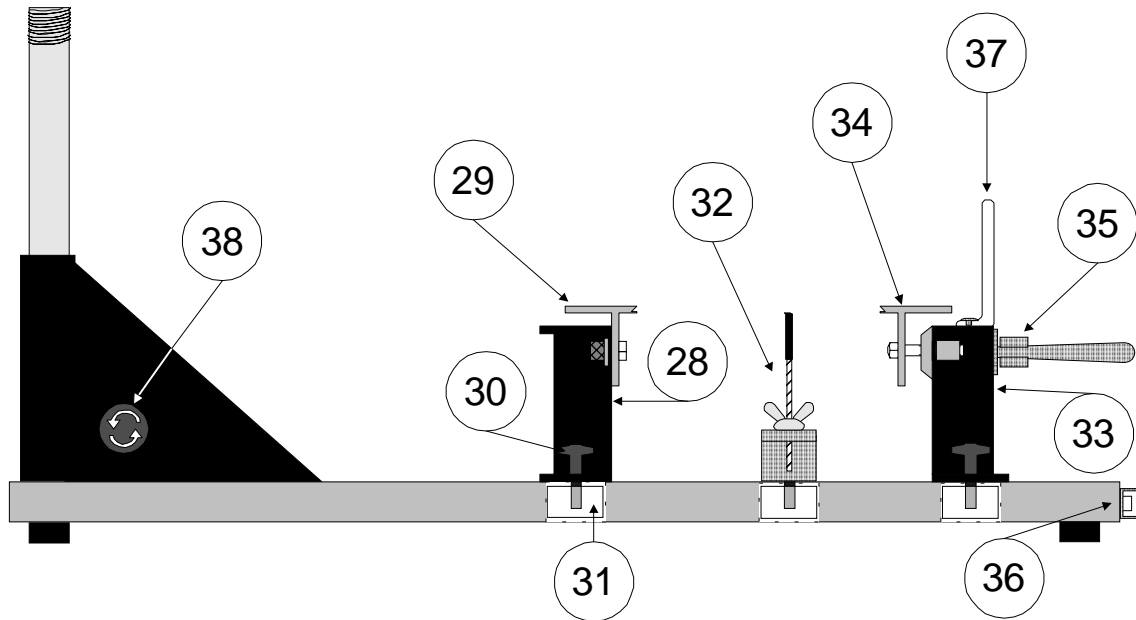


ITEM	DESCRIPTION	PART #	PRICE
8	Elbow Bearing (2 reqd)	172-212	37.50
9	Elbow Nut (2 reqd)	172-219	1.40
10	Elbow Washer (4 reqd)	172-220	2.50
11	Elbow Shaft	172-125	32.50
12	Elbow Plug (2 reqd)	172-204	1.50
13	Post-Upright	172-111	200.00
14	Knurled Adjusting Nut (2 reqd)	172-122	42.00
15	Upright Needle Bearing (2 reqd)	172-213	16.00
16	Upright Thrust Bearing (2 reqd)	172-214	16.00
17	Upright Thrust Washer (4 reqd)	172-215	16.00
18	Bunge Cord Assembly	172-1103	15.00
19	Shoulder Screws (2 reqd)	150-211	.10



ITEM	DESCRIPTION	PART #	PRICE
20	Lamp 120V	172-209	10.00
20	Lamp 230V	172-209B	15.00
	Lamp Holder (socket)	172-210	15.00
21	Rubber Vibration Pads (4 reqd)	172-256	1.50
22	Shield - Horizontal (SKIRT)	272-905	110.00
	1.5" Dia. Cutter (smooth)	172-1603	105.00
	2.0" Dia. Cutter (smooth)	172-1605	145.00
	1.5" Dia. Cutter (serrated)	172-2603	155.00
23	Spindle Sleeve Assy (1reqd)	172-1602	75.00
24	Spindle Assembly (1reqd)	172-137	365.00
25	Spindle Bearing (top)	172-211	20.00
	Spindle Bearing (bottom)	172-211B	20.00
26	Spindle Flexible Chuck (1 reqd)	172-270	80.00
27	Spindle Nut (stainless)	172-265	35.00

ITEM	DESCRIPTION	PART #	PRICE
	Rubber Feet (6 reqd)	181-246	1.25
28	Rear Sliding Angle (black)	172-1606	65.00
29	Vise Jaw Rear	172-104	45.00
30	T-Bolt/Spacer (4 reqd)	181-1104	6.00
31	Delrin Sliding Nut (6 reqd)	172-134	8.00
32	PC Board Btm Support (2 reqd)	172-110	20.00
	PC Board Support Pin (2 reqd)	172-907	1.00
	Wing Nut (2 reqd)	172-255	1.50
	T- Bolt w/Washer (2 reqd)	172-257	6.00
33	Front Sliding Angle (Black)	172-1608	65.00
34	Vise Jaw - Front	172-104	45.00
35	Handle - Vise Jaw (Assy)	172-1115	75.00



	Guide Pin Bushing (4 reqd)	172-106	6.00
	Guide Pin (2 reqd)	172-105	5.50
	Clamp Spring (3 reqd)	172-218	4.00
	Retaining Ring (3 reqd)	172-222	2.00
36	Safety Switch - Base	150-308	16.50
	Base Safety Switch Guard	172-612	25.00
37	172 Shield - Vertical	172-901	N/A
37B	272 Shield - Vertical	272-903	N/A
38	Fuse Holder	163-120	35.00
	Fuse - 5 Amp	163-121	2.50

